

UHX-150W-MCTP-480V

Customer Name: _____

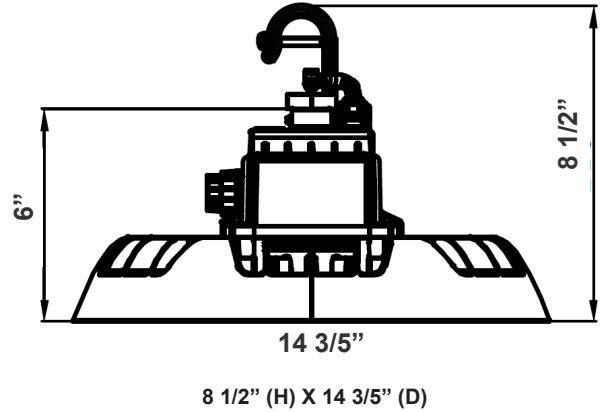
Project Name: _____

Note: _____

Type: _____



In a aluminium shell designed for heat dissipation, UHX is IP65 water resistant rated and ideal for general site lighting, alleys, loading docks, doorways, pathways, parking areas, warehouses and storage buildings.



Features

- Waterproof design, suitable for wet locations
- ADC12 Aluminum Heat Sink, Outdoor Powder Coating Finish
- Optical Lens: PC Materials High Light Transmittance, Anti-UV, Fire-Resistant
- Multi Color Temperature & Multi Power (Selectable Switch Located On The Driver Housing)

Technical Specifications

Electrical:

- Input Wattage: 50W/80W/100W/150W
- Input Voltage: 480V 50/60Hz
- Power Factor: >0.9
- THD: <20%
- Efficacy: 125 LPW

Mechanical:

- ADC12 Aluminum Heat Sink, Outdoor Powder Coating Finish
- Optical Lens: PC Materials High Light Transmittance, Anti-UV, Fire-Resistant
- LED: LUMILEDS 2835
- LED PCB Board: High Conductive, Waterproof, Aging Resistance, salt mist Resistance, Ensure the Safety and Long Lifespan
- Operating temperature: -40°F to 122°F
- IP rating: IP65, Wet Locations
- 5-Year Warranty

Lighting:

- Dimming: 0~10V
- Total Lumens: 6250LM/ 10000LM/ 12500LM/ 18750LM
- Multi Color Temperature & Multi Power (Selectable Switch Located On The Driver Housing)
- Color Temperatures: 3000K/ 4000K/ 5000K/5700K
- Color Rendering index: > 80
- Beam Angle: 90°
- Lifespan: 50,000 Hrs

Applications:

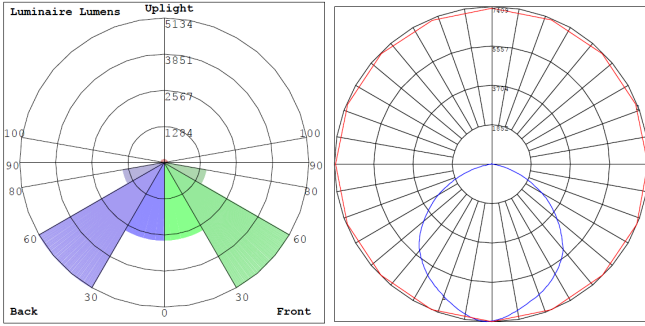
- Ideal for general site lighting, alleys, loading docks, doorway, pathway, parking areas, warehouses and storage buildings.

Other Models:

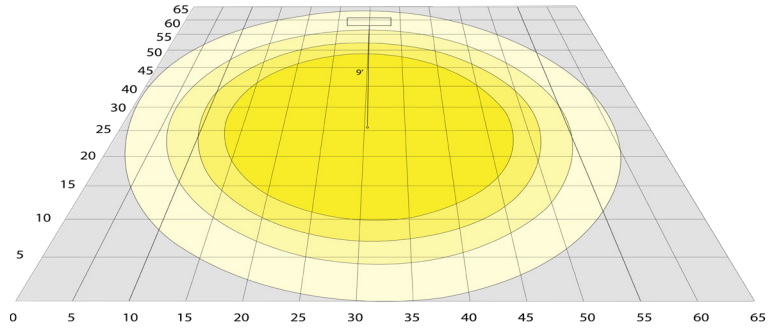
- 150W | 18750LM | UHX-150W-MCTP-WH-480V



Photometrics: UHX-150W-MCTP-480V



BUG Rating: B4-U3-G1



Area 65'x 65' Mounting Height: 9'

Other Views:



Side View



Top View



Bottom View

Performance Table: UHX-150W-MCTP-480V

MODEL NO.	Wattage	Voltage	Lumens	Color Temp	BUG Rating	LPW
UHX-150W-MCTP-480V	50W	480V	6250LM	3000K	B4-U3-G1	125
	80W		10000LM	4000K		
	100W		12500LM	5000K		
	150W		18750LM	5700K		

Sample Ordering

Model Wattage Color Temp. Voltage

UHX - 150W - MCTP - 480V

Accessory:

HB-RING = HIGHBAY TOP RING ADAPTER, 1/2in
HB-EB-50/75 = HIGHBAY EXPANSION BUSHING FROM 1/2in TO 3/4"
UHX-SMB = UHX SERIES SURFACE MOUNTING YOKE BRACKET
UHX-WG-A = UHX SERIES WIRE GUARD, FITS ON FIXTURES
UHX-SC = UHX SERIES 22" SAFETY CABLE
UHX-ALR-A = UHX SERIES ALUM. REFLECTOR
UHX-PCR-A = UHX SERIES PRISMATIC PC REFLECTOR
UHX-PCDC = UHX SERIES PC DROP LENS COVER FOR REFLECTORS
UHX-PCC = UHX SERIES PC BOTTOM COVER FOR REFLECTORS
UXH-FL-A = UHX SERIES REPLACEMENT FROSTED GLASS LENS

Factory-Installed Option:

Blank = No Accessory
OPT-EM-UHX = EXTERNAL EMERGENCY BACKUP BATTERY INSTALLED ON TOP OF THE FIXTURE

Example:

1. UHX-150W-MCTP-480V (FOR UHX 150W MCTP FIXTURE 480V)
2. UHX-150W-MCTP-480V HB-RING (FOR UHX 150W MCTP FIXTURE 480V)
(HIGHBAY TOP RING ADAPTER, 1/2in)



ACCESSORIES:



UHX-PCR-A
UHX SERIES
PRISMATIC PC
REFLECTOR



UHX-ALR-A
UHX SERIES ALUM
REFLECTOR



UHX-PCC
UHX SERIES PC
BOTTOM COVER FOR
REFLECTORS



UHX-PCDC
UHX SERIES PC DROP
LENS COVER FOR
REFLECTORS



HB-RING
HIGHBAY TOP RING
ADAPTER, 1/2in



HB-EB-50/75
HIGHBAY
EXPANSION
BUSHING FROM 1/2in
TO 3/4"



UHX-SMB
UHX SERIES SURFACE
MOUNTING YOKE
BRACKET



UHX-WG-A
UHX SERIES WIRE
GUARD, FITS ON
FIXTURES



UXH-FL-A
UHX SERIES REPLACE-
MENT FROSTED GLASS
LENS



UHX-SC
UHX SERIES 22"
SAFETY CABLE

FACTORY-INSTALLED OPTION:



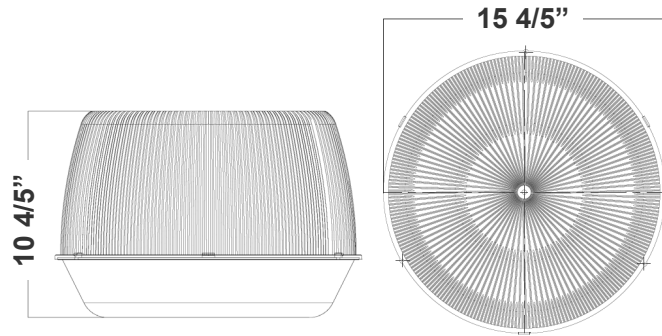
OPT-EM-UHX
EXTERNAL EMERGENCY
BACKUP BATTERY INSTALLED
ON TOP OF THE FIXTURE
(The bracket can be painted)



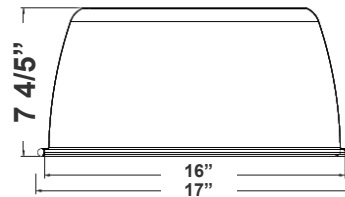
Dimensions:



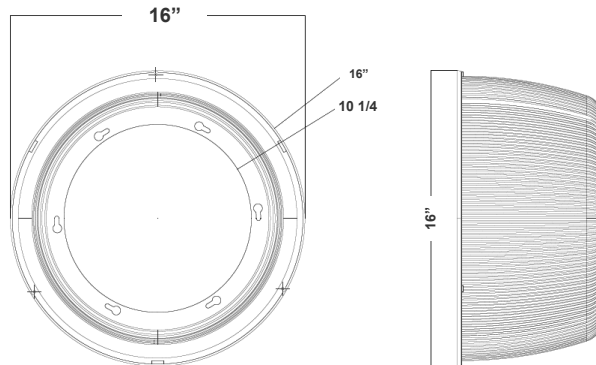
UHX-PCC
UHX SERIES PC BOTTOM COVER
FOR REFLECTORS



UHX-ALR-A
UHX SERIES ALUM. REFLECTOR



UHX-PCR-A
UHX SERIES PRISMATIC PC
REFLECTOR



UHX-PCDC
UHX SERIES PC DROP LENS
COVER FOR REFLECTORS

